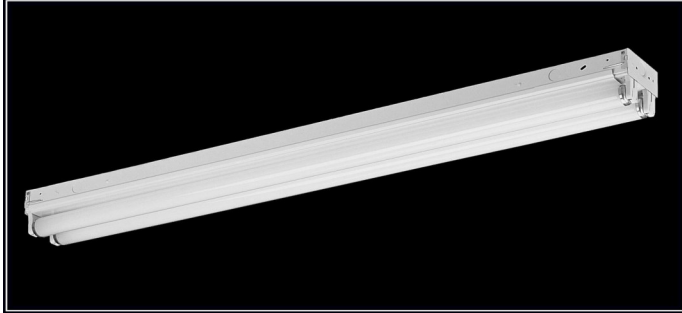


8500 Series

Two Lamp Strip T8 or T5



General Characteristics:

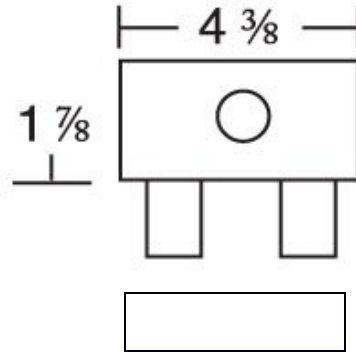
Lamp Type: 2 or 4 lamp T5 or T8
 Ballast Type: Electronic
 Standard Voltage: 120 (Universal 120-277 optional)
 Options: Dimming Ballast, Emergency Ballast, With Lamps, 6ft Cord and Plug, Wireguard, Symmetrical and Asymmetrical reflectors
 Mounting: Surface
 Additional Info: UL Listed & Title 24 Compliant

Catalog No.	Type:
Job Name:	

Features & Specifications:

The 8500 Series is a functional multi-purpose strip that incorporates premium performance and construction durability. This series can be installed using various mounting methods and numerous options and accessories are available. The 8500 Series can be the illumination solution in commercial, industrial and residential applications. Ideal for warehouses, garages, utility rooms, and production lines.

- T8 or T5 strip available in a large variety of configurations from 2 or 4 lamps
- Mounted individually or in continuous rows
- Housing is pre-painted stamped steel
- Numerous knockouts for ease of installation
- White polyester polymer with a minimum of 82% reflectivity
- Suitable for damp location



Catalog Ordering: Example: 8548-232-120-DIM-WL-WG

--	--	--	--	--

FAMILY TYPE	LENGTH IN INCHES/ LAMPING	# OF BALLAST	VOLTAGE	OPTIONS
85	18-EL (2- F15T8)**	/1	120 (120 Volt)	DIM (Dimming Ballast)
	24-217 (2- F17T8)	/2	MVL (Instant Start Multi-Volt Low)**	WL (With Lamps)
	36-225 (2- F25T8)		MVN (Instant Start Multi-Volt Normal)**	PLG-277 (6' L7 Twist Lockcord)
	48-232 (2- F32T8)		MVH (Instant Start Multi-Volt High)**	EMR (450 Lumen Emergency Ballast)
	72-125T (2- F25T8)		MVPSL (Multi-Volt Program Start- Low)**	EMR 1400 (1400 Lumen Emergency Ballast)
	72-225T (4- F25T8)		MVPSN (Multi-Volt Program Start-Normal)**	PLG (6' SJT Cord & Plug)
	96-232T (4- F32T8)		MVPSH (Multi-Volt Program Start- High)**	WG (Wireguard)
	96-T8-EL (2- F96T8)*		DIM (Dimming Ballast)**	VH (V-Hook)
	96-T12-EL (2- F96T12)*			ASYM-1 (Asymmetrical Reflector Style 1)
	96-T8-EL-HO (2- F96T8HO)*			ASYM-2 (Asymmetrical Reflector Style 2)
	96-T12-EL-HO (2- F96T12HO)*			SYM-1 (Symmetrical Reflector Style 1)
	24-214 (2- F14T5)			SYM-2 (Symmetrical Reflector Style 2)
	24-224 (2- F24T5HO)			OS (Occupancy Sensor)
	36-221 (2- F21T5)			OSD (Occupancy Sensor with Daylight)
	36-239 (2- F39T5HO)			
	48-228 (2- F28T5)			
	48-254 (2- F54T5HO)			
	96-228T (4- F28T5)			
	96-254T (4- F54T5HO)			

* Not available with Dimming Ballast

** 8518-EL is not available with Universal Volt, Dimming or Emergency Ballast

Specifications and Dimensions Subject to change without notice
 FSC Lighting 9120 Center Avenue, Rancho Cucamonga, CA 91730 Ph 909-948-8878 Fax 909-948-8510

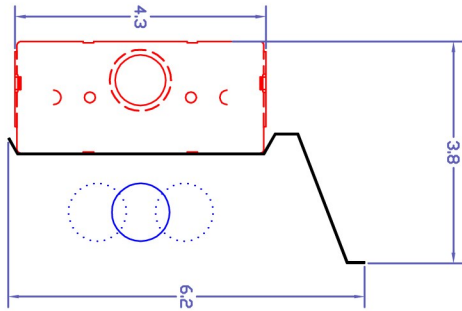


Catalog No.	Type:
Job Name:	

8500 Series

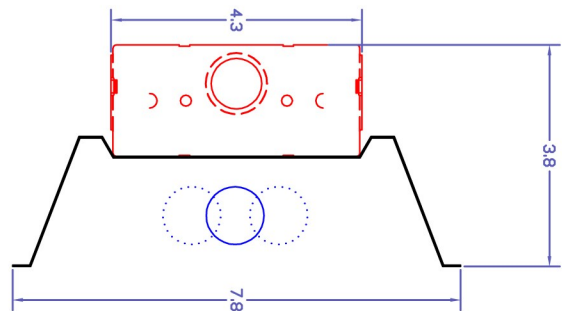
Two Lamp Strip T8 or T5 Reflectors

Asymmetrical

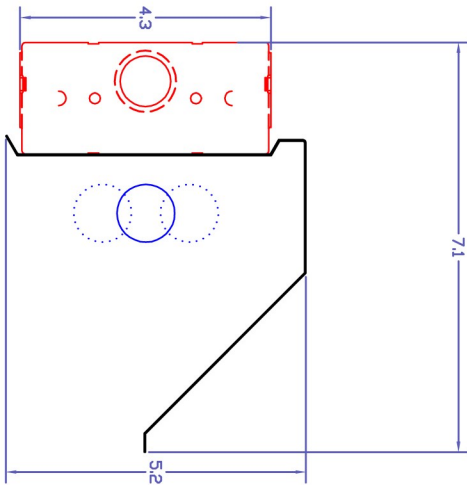


ASYM-1

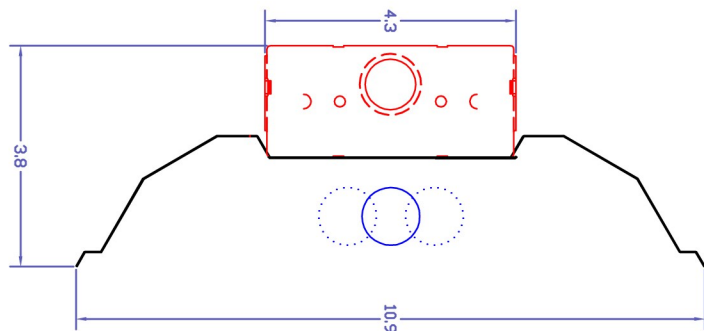
Symmetrical



SYM-1



ASYM-2



SYM-2

Specifications and Dimensions Subject to change without notice

FSC Lighting 9120 Center Avenue, Rancho Cucamonga, CA 91730 Ph 909-948-8878 Fax 909-948-8510

Revised 1/14/14

