



Catalog No.	Type:
Job Name:	

74-RFK- Series

Troffer Retrofit Kit



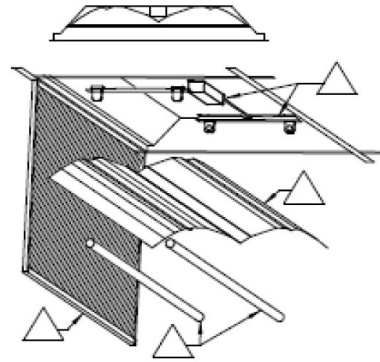
Features & Specifications:

The 74-RFK Series dramatically enhances existing fixture efficiencies creating substantial energy savings with excellent return on investment. These kits, in conjunction with numerous ballast and lamp configurations, can easily produce ideal IES recommended light levels with minimized energy consumption. The 74-RFK will continue to provide consistent fixture performance and repeat annual energy savings for up to 25 years. It's ideal optics, universal fit configuration and flexible stamped bracketing system allows proper fit in office spaces, classrooms, hospitals, and many other commercial locations.

- Multi-facet optical design for maximum performance
- Significant reduction in maintenance costs
- Aluminum components generate a rust-free approach
- Reinforced multi function universal bracketing system
- 91% Reflectivity

Quick, Safe, and Labor Efficient Installation:

- Variable tek screw slot locations for multiple mounting options
- Unique bracket design UL approved for no wire guard requirement
- Less than 2" reflector depth to fit shallow fixtures
- Tool-less ballast access for simple maintenance
- Round-edged brackets to avoid injury during installation
- Streamlined packaging for easy job site material management
- With 1/3 the weight of steel, aluminum components permit reduced shipping cost and simpler installation



Kit includes: (1) reflector, (1) MV-N Ballast, (2) aluminum brackets, (2, 4 or 6) lamp holders, (4) Tek screws (1) Disconnect

Catalog Ordering: Example: 74-RFK-24-232-MVPSL-W-RS-PW

74-RFK				
--------	--	--	--	--

FAMILY	SIZE/ LAMPING	BALLAST	REFLECTOR	SOCKETS/ OPTIONS
74-RFK	22-217 (2-F17T8)	MVL (Multi-Volt Low)	W (White)	IS (Instant Start/ Shunted)
	22-317 (3-F17T8)	MVN (Multi-Volt Normal)		RS (Rapid Start/ Non- Shunted)
	22-417 (4-F17T8)	MVH (Multi-Volt High)		PW (Pre-Wired Sockets)
	22-224 (2-F24T5HO)	MVPSL (Multi-Volt Program Start Low)		
	22-224 (3-F24T5HO)	MVPSN (Multi-Volt Program Start Normal)		
	22-224 (4-F24T5HO)	MVPSH (Multi-Volt Program Start High)		
	24-232 (2-F32T8)	NB (No Ballast)		
	24-332 (3-F32T8)			
	24-432 (4-F32T8)			
	24-254 (2-F54T5HO)			
	24-354 (3-F54T5HO)			
	24-454 (4-F54T5HO)			

Specifications and Dimensions Subject to change without notice

FSC 12120 Altamar Place, Santa Fe Springs, CA 90670 Ph 562-906-2644 Fax 562-906-2649