

Installation Instruction

⚠ WARNING

- To reduce the risk of death, personal injury or property damage from fire, electric shock, falling parts, cuts/abrasions, and other hazards read all warnings and instructions included with and on the fixture box and all fixture labels.
- Before installing, servicing, or performing routine maintenance upon this equipment, follow these general precautions.
- Commercial installation, service and maintenance of luminaires should be performed by a qualified licensed electrician.
- For the installation: If you are unsure about the installation or maintenance of the luminaires, consult a qualified licensed electrician and check your local electrical code.
- To prevent wiring damage or abrasion, do not expose wiring to edges of sheet metal or other sharp objects.
- Do not make or alter any open holes in an enclosure of wiring or electrical components during kit installation.

⚠ WARNING

- Turn off electrical power at fuse or circuit breaker box before wiring fixture to the power supply.
- Turn off the power when you perform any maintenance.
- Verify that supply voltage is correct by comparing it with the luminaire label information.
- All wiring connections should be capped with UL approved wire connectors.

⚠ CAUTION

- Avoid direct eye exposure to the light source while it is on.
- Account for small parts and destroy packing material, as these may be hazardous to children.
- Risk of burn. Disconnect power and allow fixture to cool before changing bulb or handing fixture.

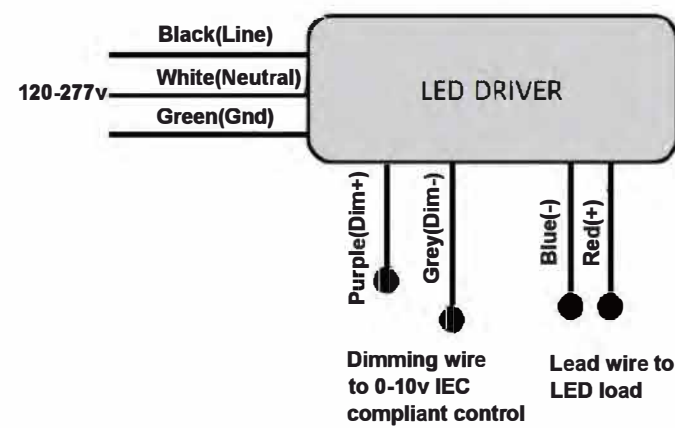
NOTICE: Green ground screw provided in proper location. Do not relocate.

NOTICE: Minimum 90° supply conductors.

NOTICE: Specifications and dimensions subject to change without notice.

NOTICE: Suitable for Dry or Damp location

General Wiring Diagram



Installation Instruction

A: Surface Mounting

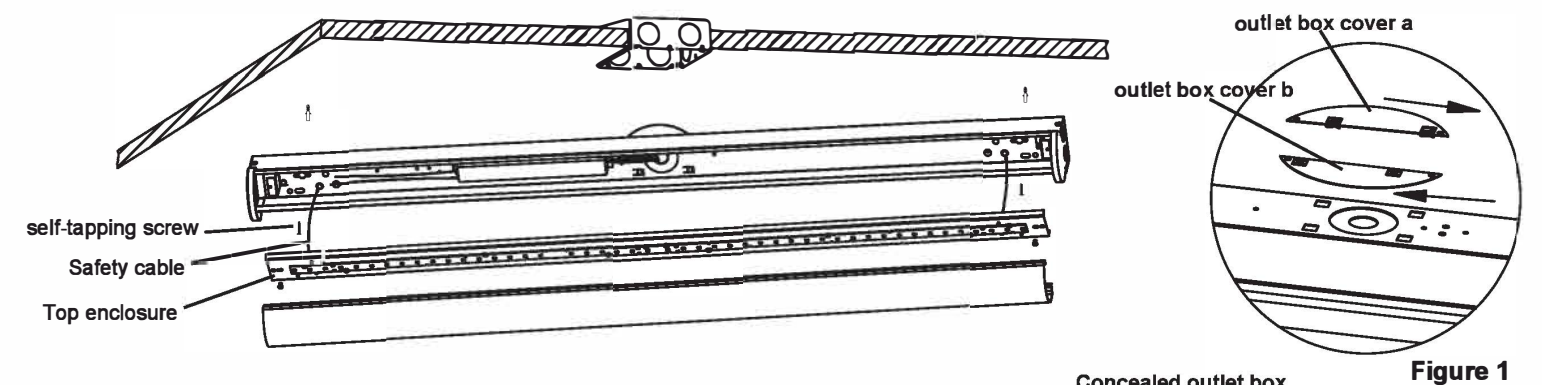


Figure 1

B: Chain Suspended Mounting

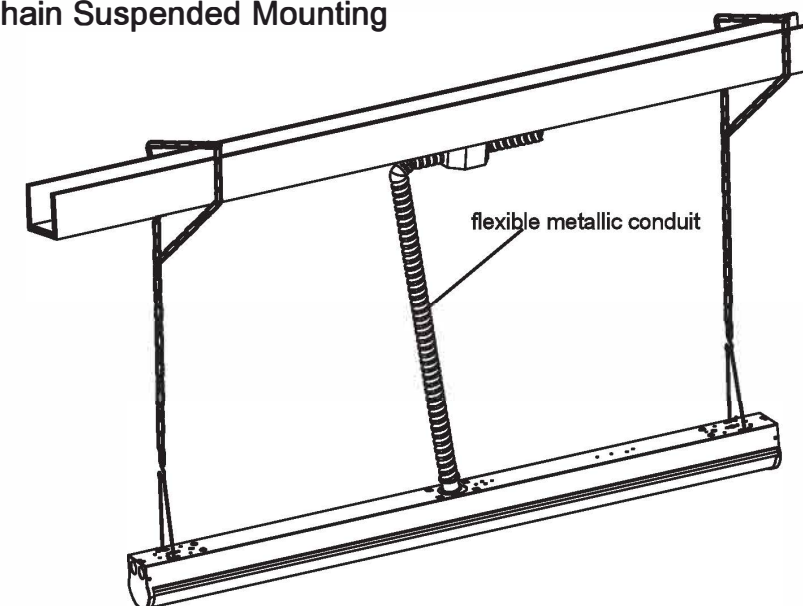


Figure 2

Mounting Options

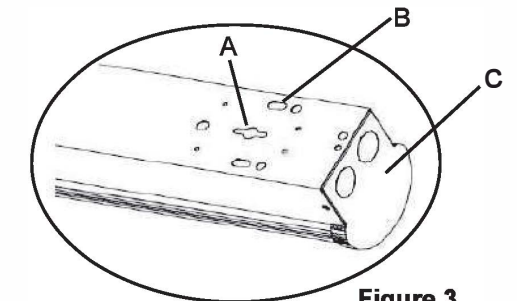


Figure 3

- A: Surface Mounting
- B: Chain Mounting with V hook
- C: End Cap

Installation Step:

Always turn off the power supply from main circuit breaker first!

A: Surface Mounting

- Step1: Lock the tabs into the openings, then push the cover a to the right, and push the cover b to the left. (Figure 1)
- Step2: Open the lens, then unscrew the screws at both ends of top enclosure. Wire to main power through the concealed outlet box. (Figure 2)
- Step3: Fix the luminaire onto the ceiling by the self-tapping screws. Slide into key hole slots on the top side of the luminaire base. (Figure 3 A)
- Step4: Screw the top enclosure to the housing, install the lens, then turn on the power.

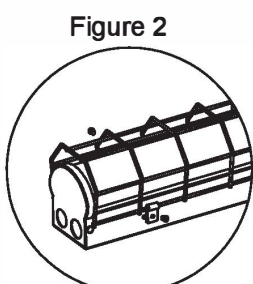
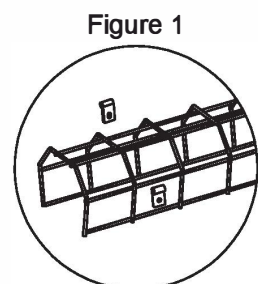
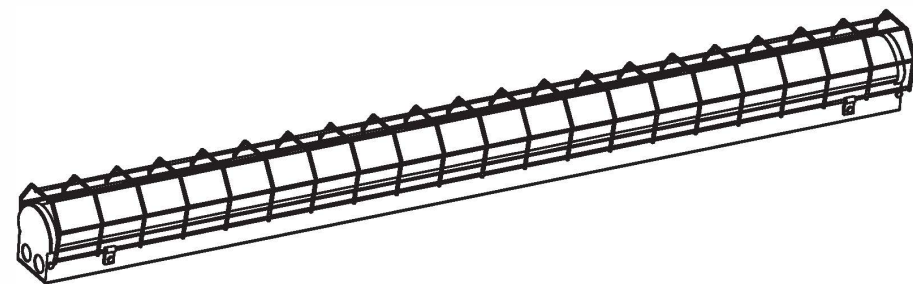
B: Chain Mounting with V hook

- Step1: Mount V-hooks to the luminaire (Figure 3 B)
- Step2: Hang the luminaire up with chain.



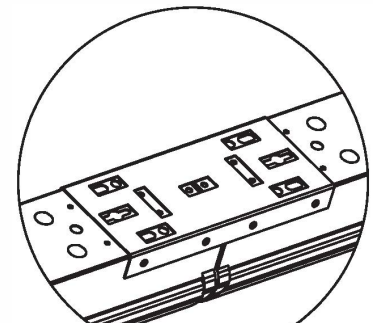
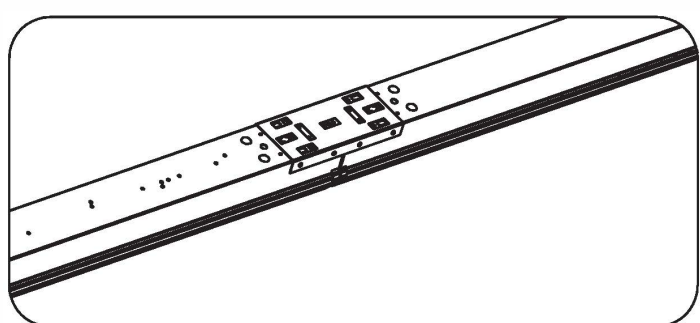
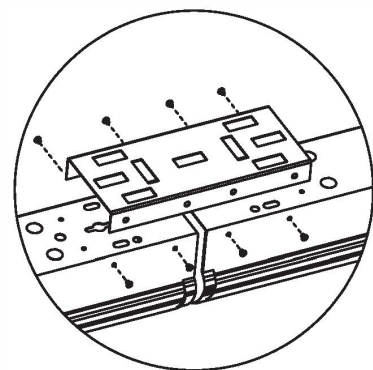
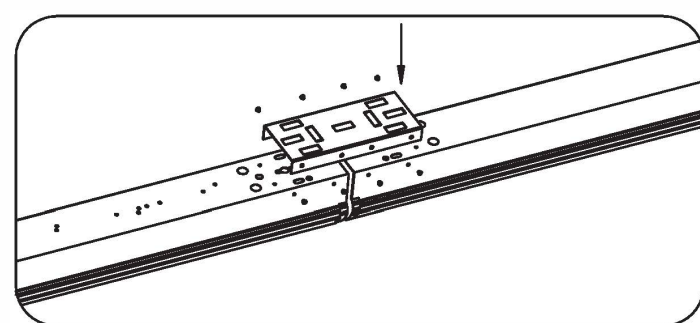
Installation Instruction

C: Wire Guards



- Step1: After installing the luminaire, insert the provided chips (4 pcs) onto the wire guard. (fig 1).
- Step2: Fasten the chips by drilling screws into the prepunched holes of fixture body (fig 2)

D: Row Connector



- Step1: Screw the connector to the end of the luminaires.
- Step2: After connecting, all installation methods can refer to Page 2.

